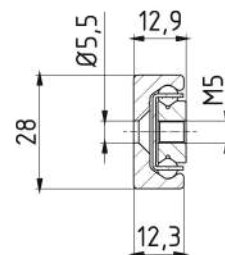
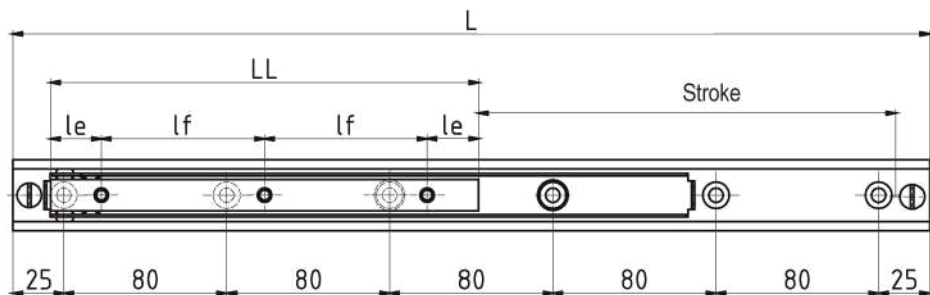
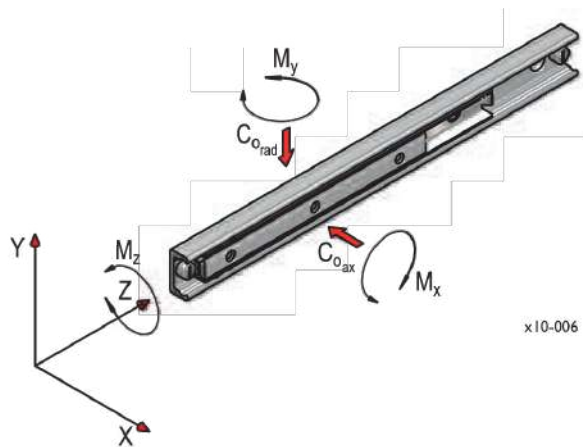


Designation	Stroke mm	Rail guide		Carriage slider				Weight kg	Load ratings		Permissible moments of load		
		L mm	no. of holes	LL mm	le mm	lf mm	no. of holes		C_{0rad} N	C_{0ax} N	M_x Nm	M_y Nm	M_z Nm
LCE 28H-0130-0060	34	130	2	60	10	20	3	0.23	3,584	2,509	37	25	18
LCE 28H-0210-0060	114	210	3					0.34					
LCE 28H-0290-0060	194	290	4					0.44					
LCE 28H-0370-0060	274	370	5					0.54					
LCE 28H-0450-0060	354	450	6					0.65					
LCE 28H-0210-0080	94	210	3	80			4	0.35	4,779	3,345	65	45	23
LCE 28H-0290-0080	174	290	4					0.42					
LCE 28H-0370-0080	254	370	5					0.56					
LCE 28H-0450-0080	334	450	6					0.67					
LCE 28H-0530-0080	414	530	7					0.78					
LCE 28H-0610-0080	494	610	8					0.89					
LCE 28H-0290-0130	124	290	4	130	25	80	2	0.50	7,766	5,436	166	117	38
LCE 28H-0370-0130	204	370	5					0.61					
LCE 28H-0450-0130	284	450	6					0.72					
LCE 28H-0530-0130	364	530	7					0.82					
LCE 28H-0610-0130	444	610	8					0.92					
LCE 28H-0690-0130	524	690	9					1.03					
LCE 28H-0770-0130	604	770	10					1.14					
LCE 28H-0850-0130	684	850	11					1.25					
LCE 28H-0930-0130	764	930	12					1.34					
LCE 28H-1010-0130	844	1010	13					1.45					
LCE 28H-0450-0210	204	450	6	210			3	0.79	12,545	8,782	430	300	62
LCE 28H-0530-0210	284	530	7					0.90					
LCE 28H-0610-0210	364	610	8					1.00					
LCE 28H-0690-0210	444	690	9					1.10					
LCE 28H-0770-0210	524	770	10					1.21					
LCE 28H-0850-0210	604	850	11					1.32					
LCE 28H-0930-0210	684	930	12					1.44					
LCE 28H-1010-0210	764	1,010	13					1.54					
LCE 28H-1170-0210	924	1,170	15					1.74					
LCE 28H-1330-0210	1,084	1,330	17					1.96					

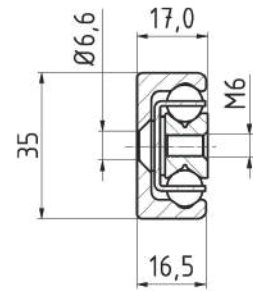
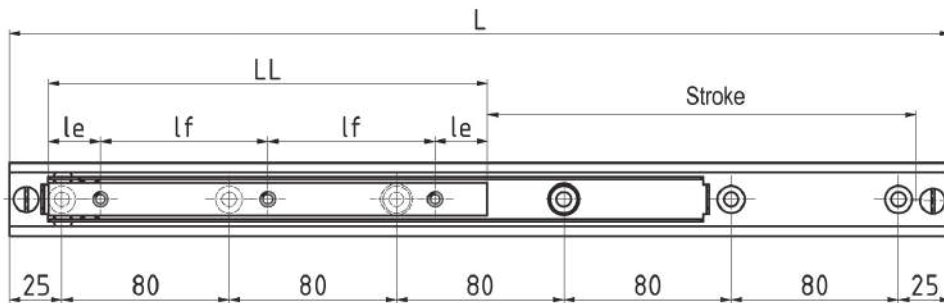


d30-007

Designation	Stroke mm	Rail guide		Carriage slider				Weight kg	Load ratings		Permissible moments of load		
		L mm	no. of holes	LL mm	le mm	lf mm	no. of holes		$C_{o_{rad}}$ N	$C_{o_{ax}}$ N	M_x Nm	M_y Nm	M_z Nm
LCE 28H-0610-0290	284	610	8	290	25	80	4	1.07	17,225	11,910	815	570	83
LCE 28H-0690-0290	364	690	9					1.18					
LCE 28H-0770-0290	444	770	10					1.28					
LCE 28H-0850-0290	524	850	11					1.39					
LCE 28H-0930-0290	604	930	12					1.50					
LCE 28H-1010-0290	684	1,010	13					1.61					
LCE 28H-1170-0290	844	1,170	15					1.81					
LCE 28H-1330-0290	1,004	1,330	17					2.03					
LCE 28H-1490-0290	1,164	1,490	19					2.24					
LCE 28H-0770-0370	364	770	10	370			5	1.37	21,884	15,248	1,327	930	106
LCE 28H-0850-0370	444	850	11					1.46					
LCE 28H-0930-0370	524	930	12					1.57					
LCE 28H-1010-0370	604	1,010	13					1.68					
LCE 28H-1170-0370	764	1,170	15					1.88					
LCE 28H-1330-0370	924	1,330	17					2.10					
LCE 28H-1490-0370	1,084	1,490	19					2.32					
LCE 28H-0930-0450	444	930	12	450			6	1.68	26,683	18,462	1,960	1,374	130
LCE 28H-1010-0450	524	1,010	13					1.75					
LCE 28H-1170-0450	684	1,170	15					1.97					
LCE 28H-1330-0450	844	1,330	17					2.17					
LCE 28H-1490-0450	1,004	1,490	19					2.40					
LCE 28H-1650-0450	1,164	1,650	21					2.60					

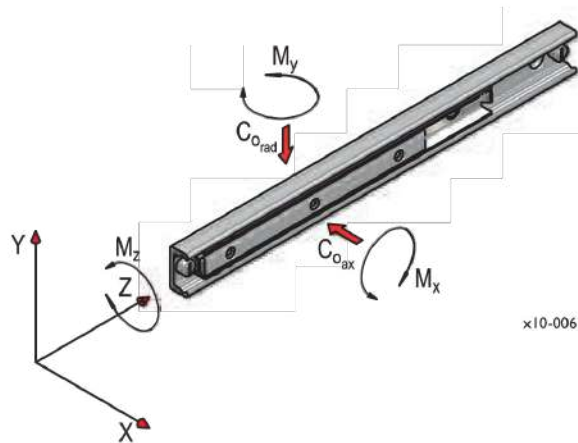


Designation	Stroke mm	Rail guide		Carriage slider				Weight kg	Load ratings		Permissible moments of load		
		L mm	no. of holes	LL mm	le mm	lf mm	no. of holes		Co_rad N	Co_ax N	Mx Nm	My Nm	Mz Nm
LCE 35-0290-0130	114	290	4	130	25	80	2	0.85	9,984	6,988	219	156	50
LCE 35-0370-0130	194	370	5					0.99					
LCE 35-0450-0130	274	450	6					1.14					
LCE 35-0530-0130	354	530	7					1.28					
LCE 35-0610-0130	434	610	8					1.42					
LCE 35-0690-0130	514	690	9					1.57					
LCE 35-0770-0130	594	770	10					1.71					
LCE 35-0850-0130	674	850	11					1.86					
LCE 35-0930-0130	754	930	12					2.00					
LCE 35-1010-0130	834	1,010	13					2.14					
LCE 35-0450-0210	194	450	6	210			3	1.34	16,128	11,290	560	397	87
LCE 35-0530-0210	274	530	7					1.48					
LCE 35-0610-0210	354	610	8					1.62					
LCE 35-0690-0210	434	690	9					1.77					
LCE 35-0770-0210	514	770	10					1.91					
LCE 35-0850-0210	594	850	11					2.06					
LCE 35-0930-0210	674	930	12					2.20					
LCE 35-1010-0210	754	1,010	13					2.34					
LCE 35-1170-0210	914	1,170	15					2.63					
LCE 35-1330-0210	1,074	1,330	17					2.92					
LCE 35-1490-0210	1,234	1,490	19					3.21					
LCE 35-0610-0290	274	610	8	290			4	1.82	22,272	15,590	1,086	745	109
LCE 35-0690-0290	354	690	9					1.97					
LCE 35-0770-0290	434	770	10					2.11					
LCE 35-0850-0290	514	850	11					2.26					
LCE 35-0930-0290	594	930	12					2.40					
LCE 35-1010-0290	674	1,010	13					2.54					
LCE 35-1170-0290	834	1,170	15					2.83					



d30-008

Designation	Stroke	Rail guide		Carriage slider				Weight	Load ratings		Permissible moments of load		
		L	no. of holes	LL	le	lf	no. of holes		$C_{O_{rad}}$	$C_{O_{ax}}$	M_x	M_y	M_z
	mm	mm		mm	mm	mm		kg	N	N	Nm	Nm	Nm
LCE 35-1330-0290	994	1,330	17	290	25	80	4	3.12	22,272	15,590	1,086	745	109
LCE 35-1490-0290	1,154	1,490	19					3.41					
LCE 35-1650-0290	1,314	1,650	21					3.70					
LCE 35-0770-0370	354	770	10	370			5	2.31	28,416	19,891	1,720	1,206	140
LCE 35-0850-0370	434	850	11					2.46					
LCE 35-0930-0370	514	930	12					2.60					
LCE 35-1010-0370	594	1,010	13					2.74					
LCE 35-1170-0370	754	1,170	15					3.03					
LCE 35-1330-0370	914	1,330	17					3.32					
LCE 35-1490-0370	1,074	1,490	19					3.61					
LCE 35-1650-0370	1,234	1,650	21					3.90					
LCE 35-0930-0450	434	930	12	450			6	2.80	34,560	24,192	2,541	1,783	169
LCE 35-1010-0450	514	1,010	13					2.94					
LCE 35-1170-0450	674	1,170	15					3.23					
LCE 35-1330-0450	834	1,330	17					3.52					
LCE 35-1490-0450	994	1,490	19					3.81					
LCE 35-1650-0450	1,154	1,650	21					4.10					
LCE 35-1810-0450	1,314	1,810	23					4.38					
LCE 35-1170-0530	594	1,170	15	530			7	3.43	40,704	28,493	3,521	2,469	198.5
LCE 35-1330-0530	754	1,330	17					3.72					
LCE 35-1490-0530	914	1,490	19					4.01					
LCE 35-1650-0530	1,074	1,650	21					4.30					
LCE 35-1810-0530	1,234	1,810	23					4.58					
LCE 35-1330-0610	674	1,330	17	610			8	3.92	46,848	32,794	4,663	3,268	229
LCE 35-1490-0610	834	1,490	19					4.21					
LCE 35-1650-0610	994	1,650	21					4.50					
LCE 35-1810-0610	1,154	1,810	23					4.78					



Designation	Stroke mm	Rail guide		Carriage slider				Weight kg	Load ratings		Permissible moments of load		
		L mm	no. of holes	LL mm	le mm	lf mm	no. of holes		C_{o-rad} N	C_{o-ax} N	M_x Nm	M_y Nm	M_z Nm
LCE 43-0290-0130	114	290	4	130	25	80	2	1.27	14,327	10,029	314	215	99.5
LCE 43-0370-0130	194	370	5					1.54					
LCE 43-0450-0130	274	450	6					1.79					
LCE 43-0530-0130	354	530	7					2.05					
LCE 43-0610-0130	434	610	8					2.10					
LCE 43-0690-0130	514	690	9					2.36					
LCE 43-0770-0130	594	770	10					2.83					
LCE 43-0850-0130	674	850	11					3.10					
LCE 43-0930-0130	754	930	12					3.35					
LCE 43-1010-0130	834	1,010	13					3.62					
LCE 43-0450-0210	194	450	6	210			3	2.00	23,144	16,201	790	552	157
LCE 43-0530-0210	274	530	7					2.26					
LCE 43-0610-0210	354	610	8					2.52					
LCE 43-0690-0210	434	690	9					2.77					
LCE 43-0770-0210	514	770	10					3.05					
LCE 43-0850-0210	594	850	11					3.30					
LCE 43-0930-0210	674	930	12					3.55					
LCE 43-1010-0210	754	1,010	13					3.82					
LCE 43-1170-0210	914	1,170	15					4.34					
LCE 43-1330-0210	1,074	1,330	17					4.86					
LCE 43-1490-0210	1,234	1,490	19					5.38					
LCE 43-1650-0210	1,394	1,650	21					5.90					
LCE 43-0610-0290	274	610	8	290			4	2.72	31,961	22,373	1,504	1,053	217
LCE 43-0690-0290	354	690	9					2.99					
LCE 43-0770-0290	434	770	10					3.24					
LCE 43-0850-0290	514	850	11					3.51					
LCE 43-0930-0290	594	930	12					3.77					
LCE 43-1010-0290	674	1,010	13					4.03					
LCE 43-1170-0290	834	1,170	15					4.55					
LCE 43-1330-0290	994	1,330	17					5.06					
LCE 43-1490-0290	1,154	1,490	19					5.58					
LCE 43-1650-0290	1,314	1,650	21					6.11					
LCE 43-1810-0290	1,474	1,810	23					6.64					

